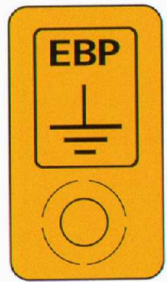
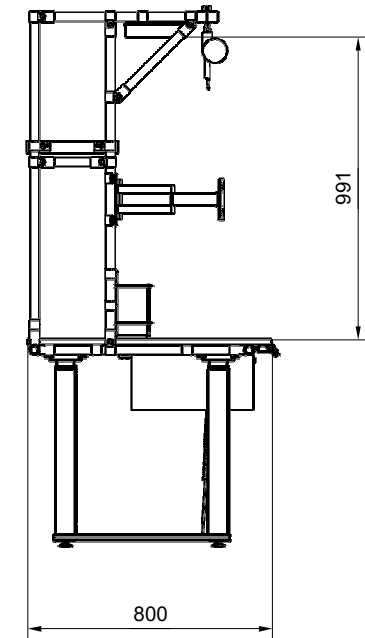
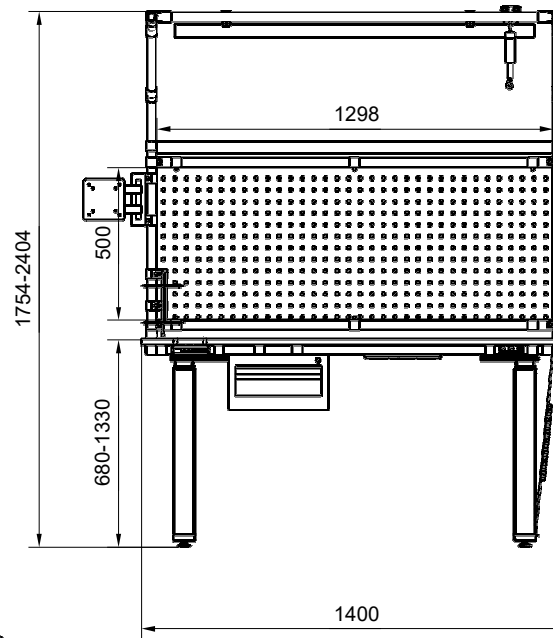
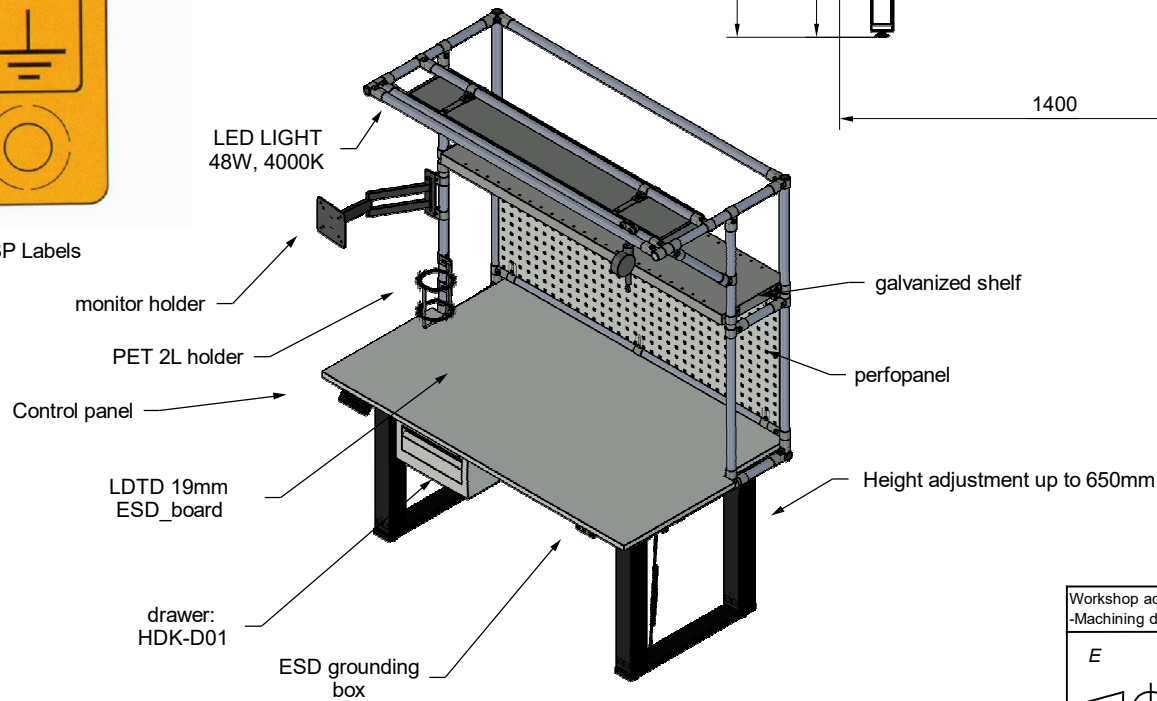




Grounding box with safety resistors for use as part of the main grounding measure Wrist strap for employees Design / Construction: 2 x 10 mm push button, 1 x 4 mm banana plug to 4 mm ring lug



EBP2040 EBP Labels



Workshop accuracies for general tolerances - Tolerances for length and angle dimensions; DIN ISO 2768-1-v					
-Machining details and finish classification to DIN ISO 1302					
E	Total load capacity*: 270 kg (Celková nosnosť:*)		Load capacity - floor*: (nosnosť na patro:*)		
	Scale	A3	Drawn Kempný	Checked	Dat. 22.08.2025
			Sheet 1 of 1		Rev. A00
ESD_electric_height_adjustment_table_ss					Doc.Nr 25080742

This document is the sole property of Enprag s.r.o. and may not be copied, duplicated, used or given to third parties without the written permission from Enprag s.r.o. Misuse is subject to penalties and will be legally pursued

Tolerances for shape and condition:
- DIN ISO 2768-2-K
Tolerancing:
- DIN 7167